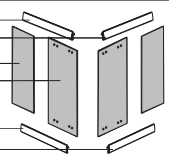

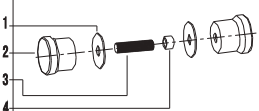
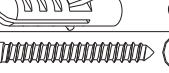
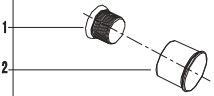

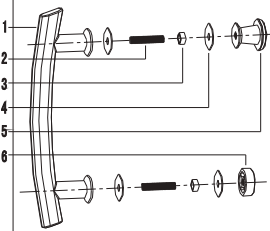
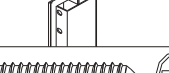


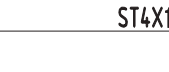


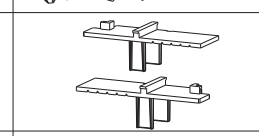
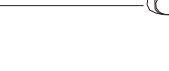


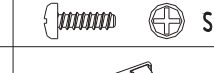



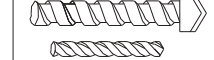

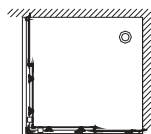
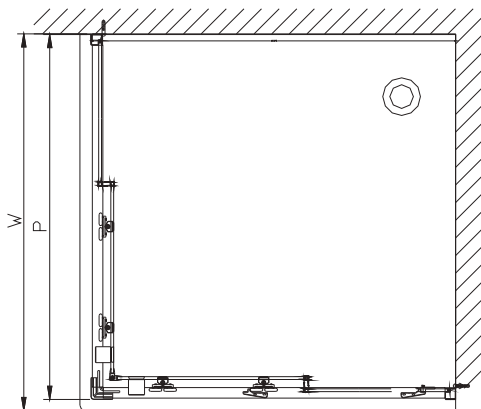
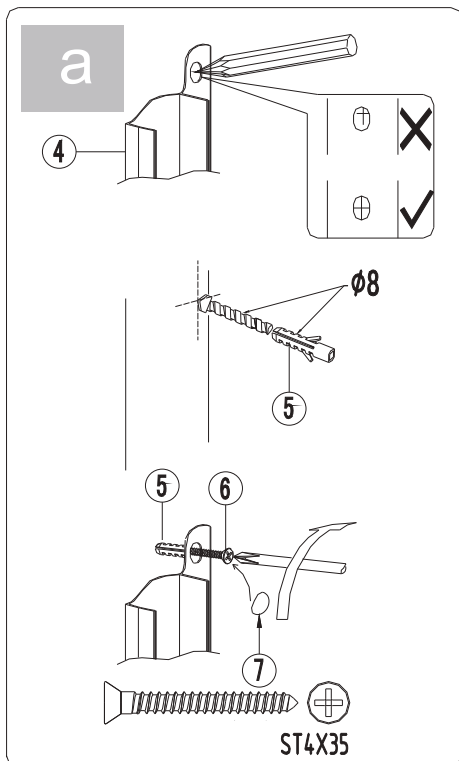
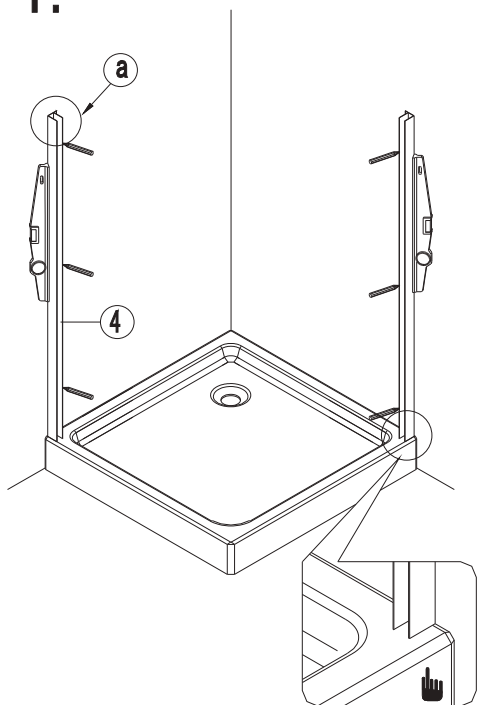


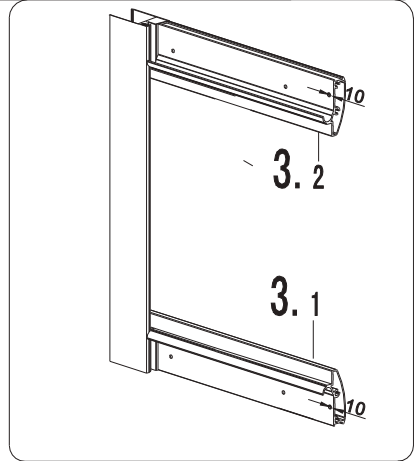
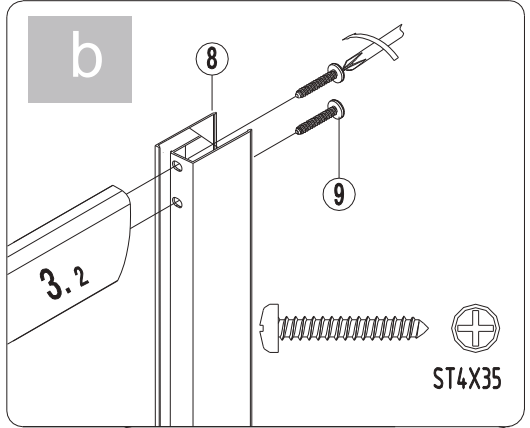
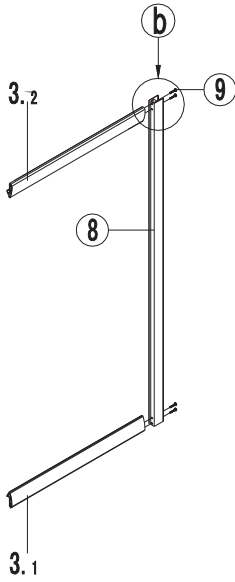
NO.	Designation	Pieces	NO.	Designation	Pieces		
3.1 3.2 1 2		X2 X2 X2 X2	13	no handle			
3.2 3.1		X2		A.1 A.2 A.3 A.4		X4 X4 X2 X2	
4		X7		B.1 B.2		X2 X2	
5		X7		C.1 C.2 C.3 C.4 C.5 C.6		X2 X4 X4 X8 X2 X2	
6		X15					
7		X2					
8		X9					
9		X2					
10		X5					
11		X8 X16 X8 X4 X4		D.1 D.2 D.3 D.4 D.5 D.6		X4 X4 X2 X8 X4 X2	
12	X.1 X.2 X.3 X.4						X4
	X.5						
	Y.1 Y.2 Y.3 Y.4						
	Y.5		X4				
14		X1	14				
15		X8	15		X8		
16		X17	16		X17		
17.1 17.2		X2 X2	17.1 17.2		X2 X2		
							phi 8 phi 3.2

1.

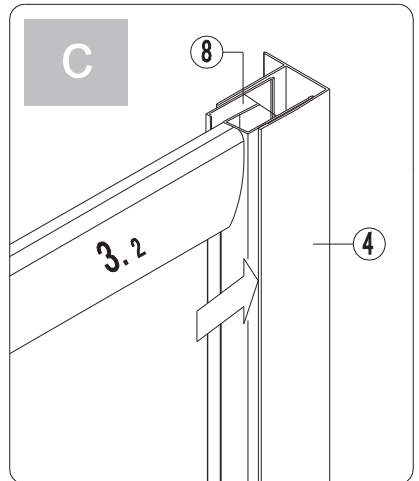
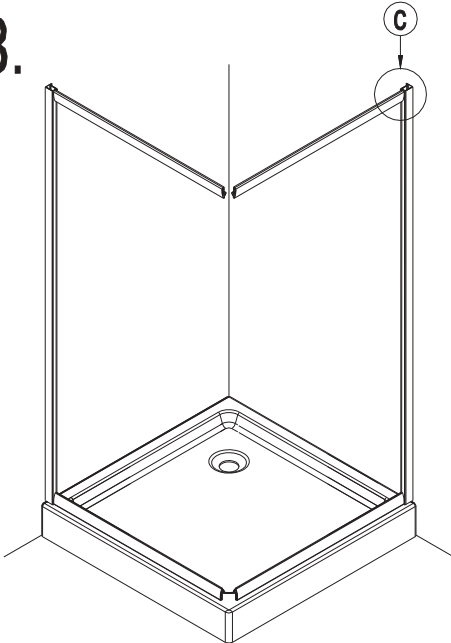


	P	W
765	765-790	800
865	865-890	900

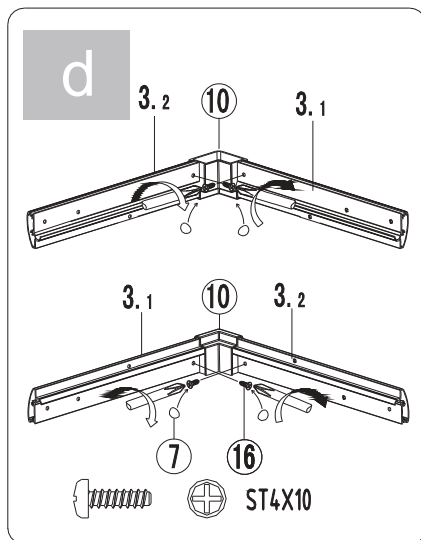
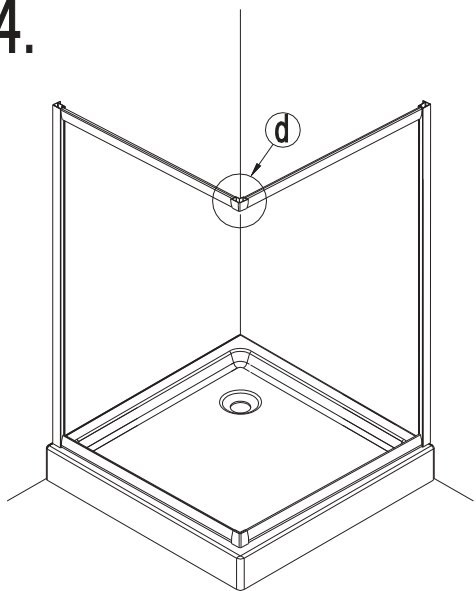
2.



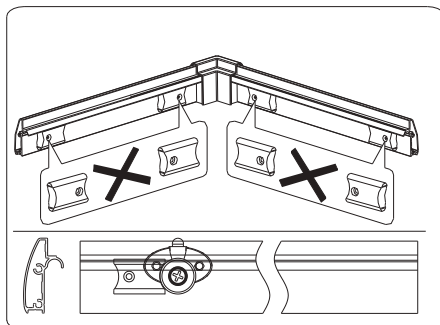
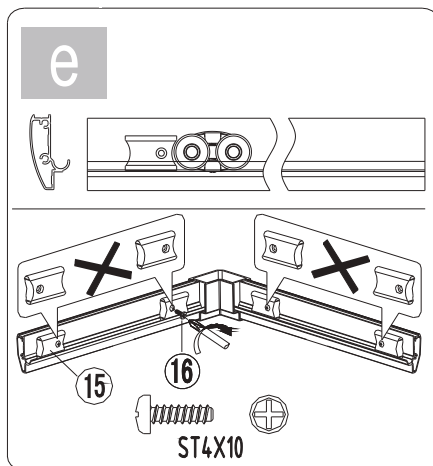
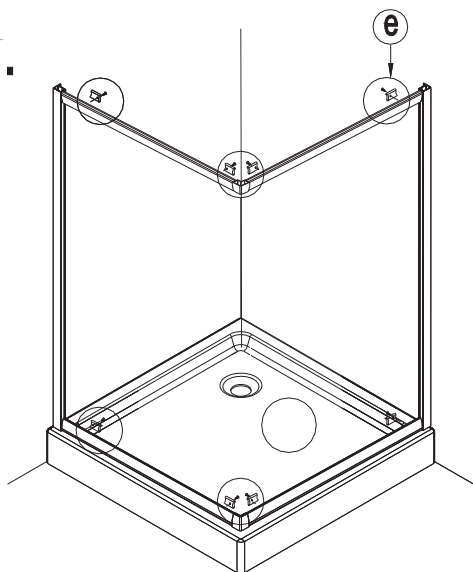
3.



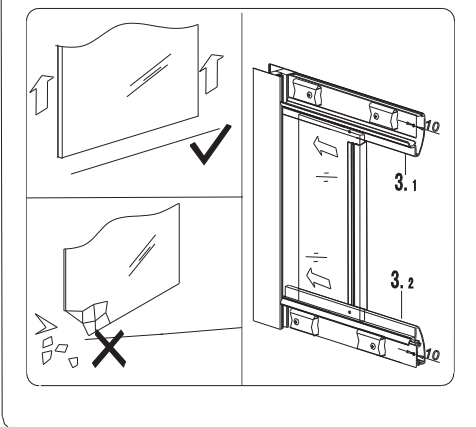
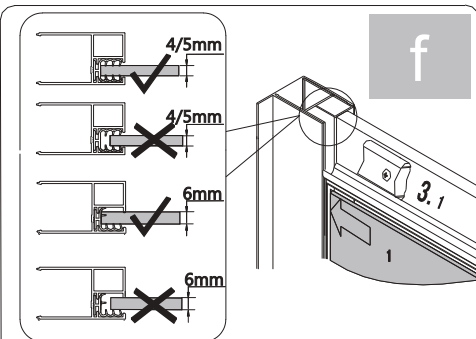
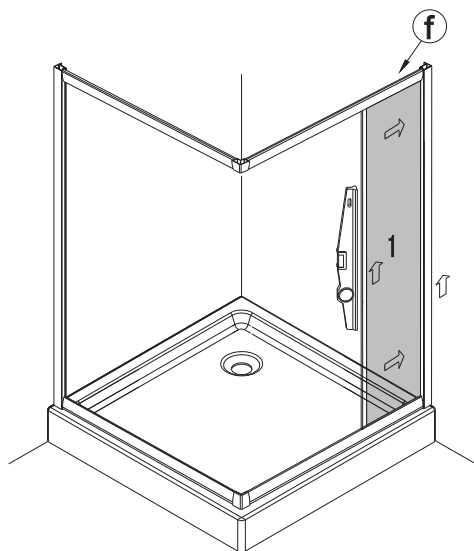
4.



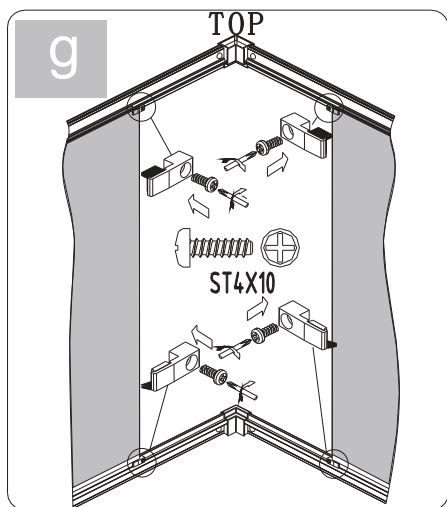
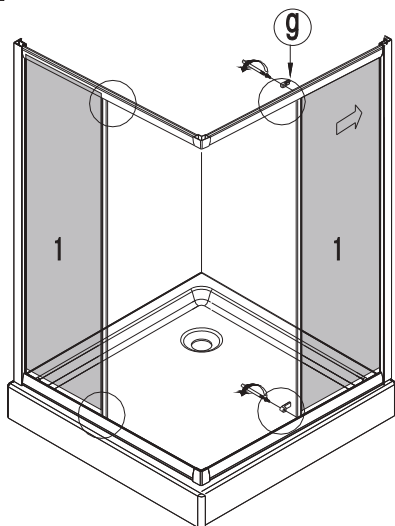
5.



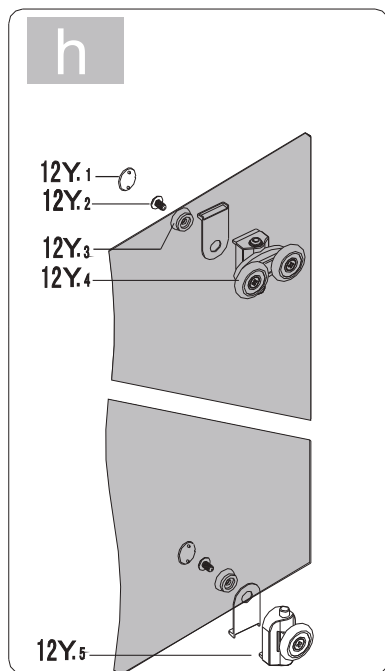
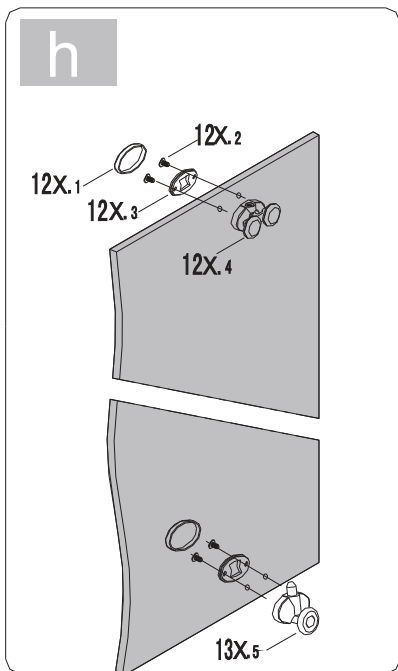
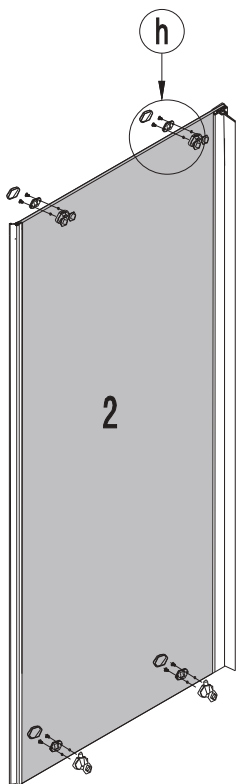
6.



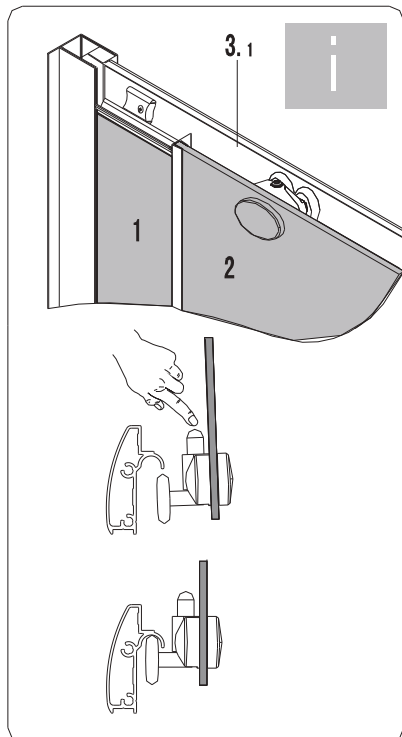
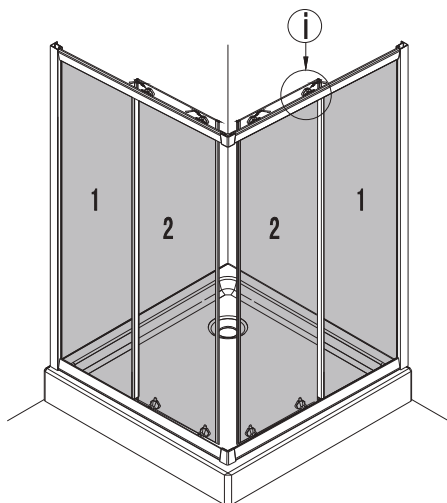
7.



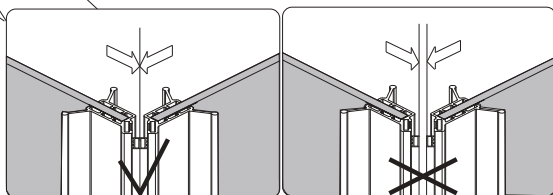
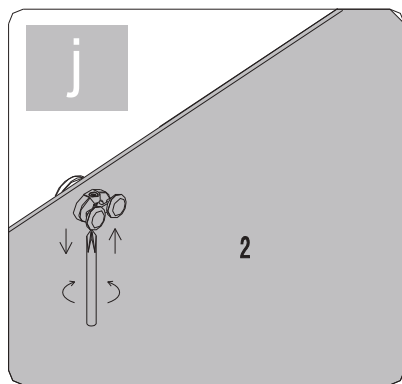
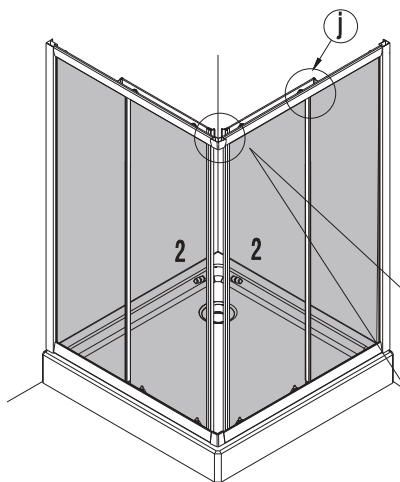
8.



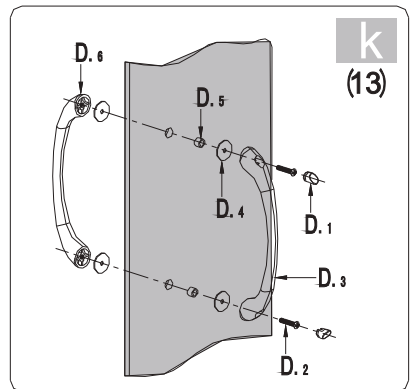
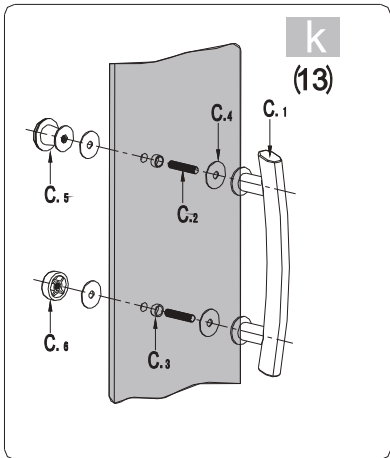
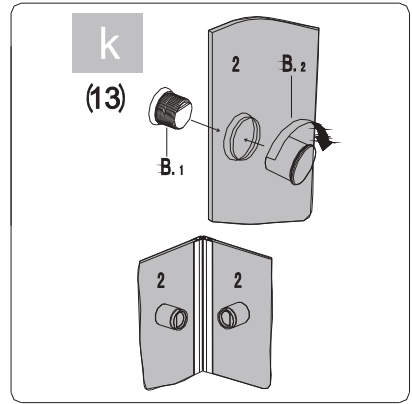
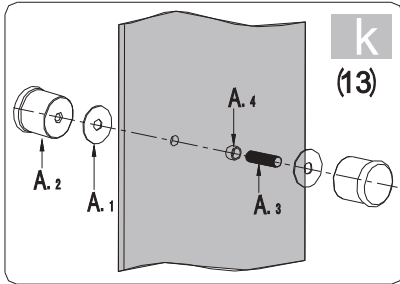
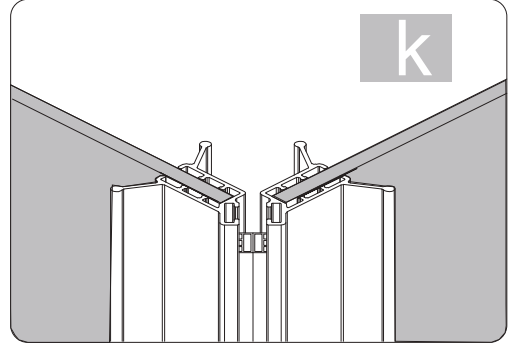
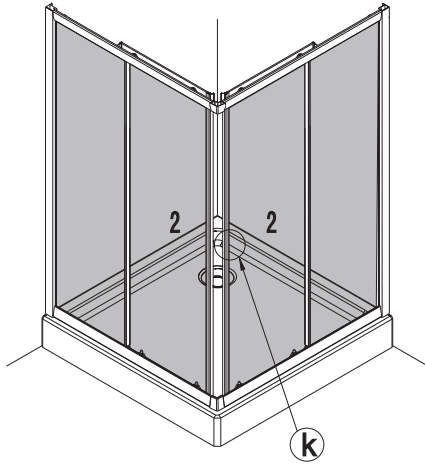
9.



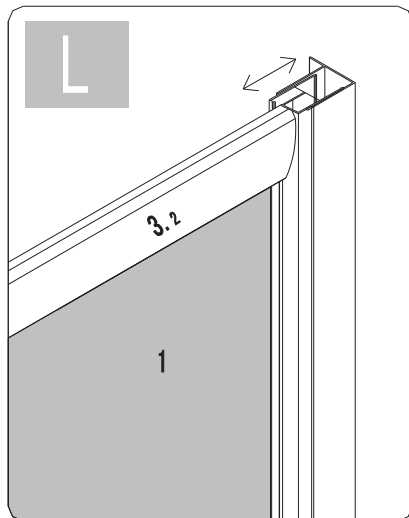
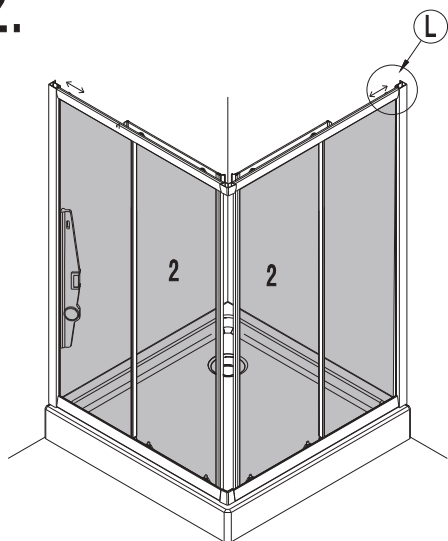
10.



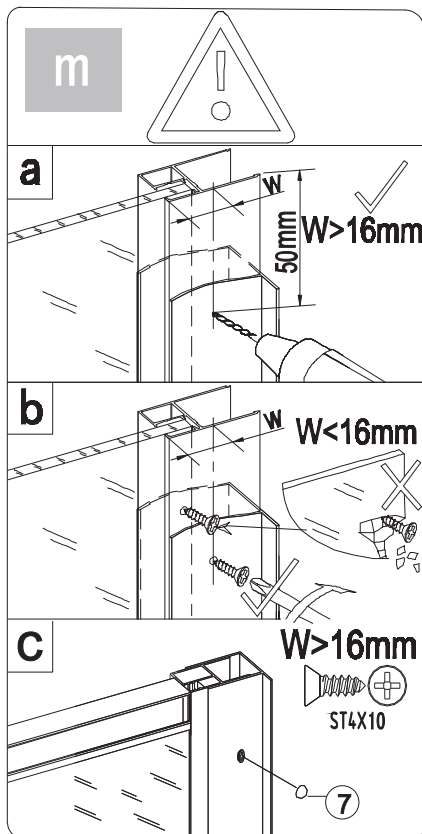
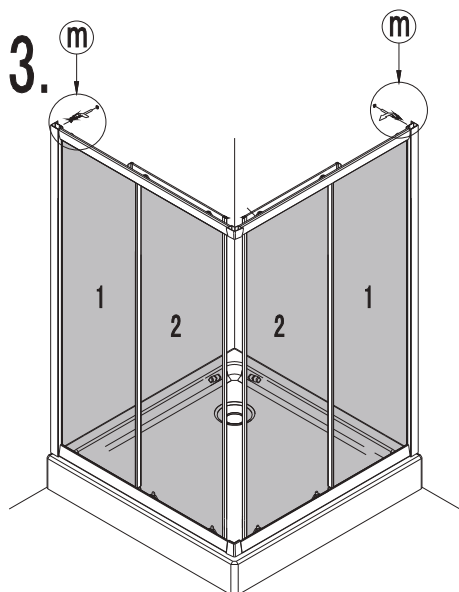
11.



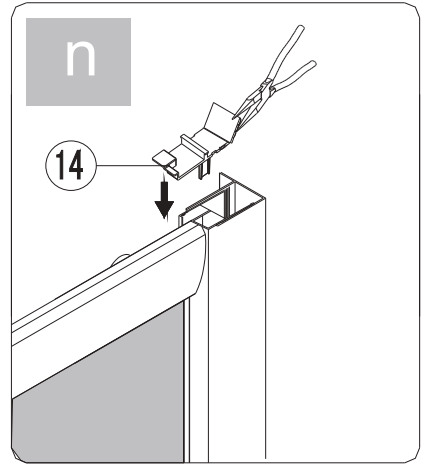
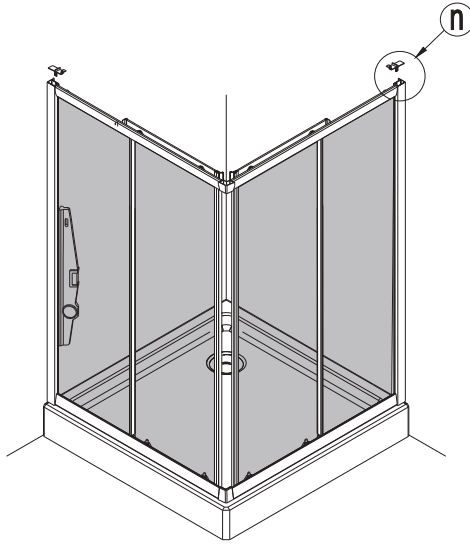
12.



13.



14.



15.

24h 

